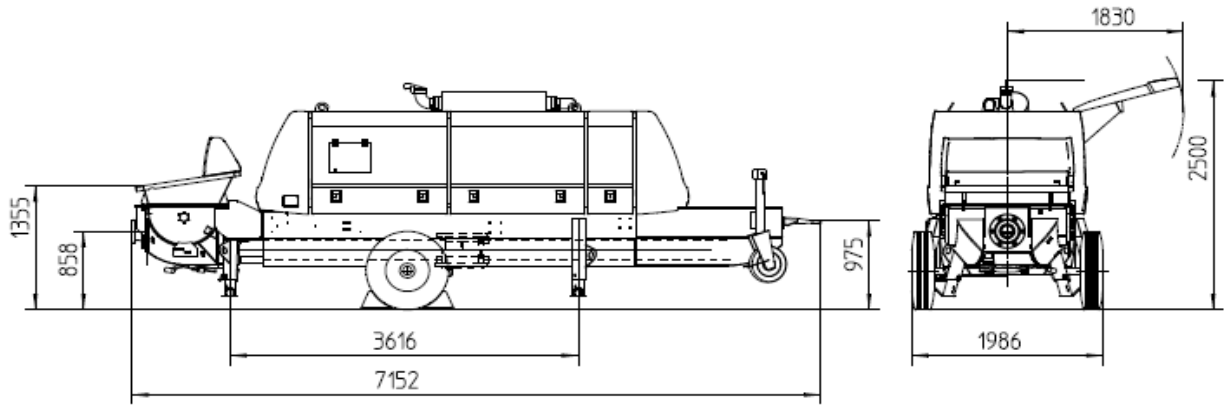


Concrete pump

Output up to 102 m³/h
Delivery pressure up to 220 bar

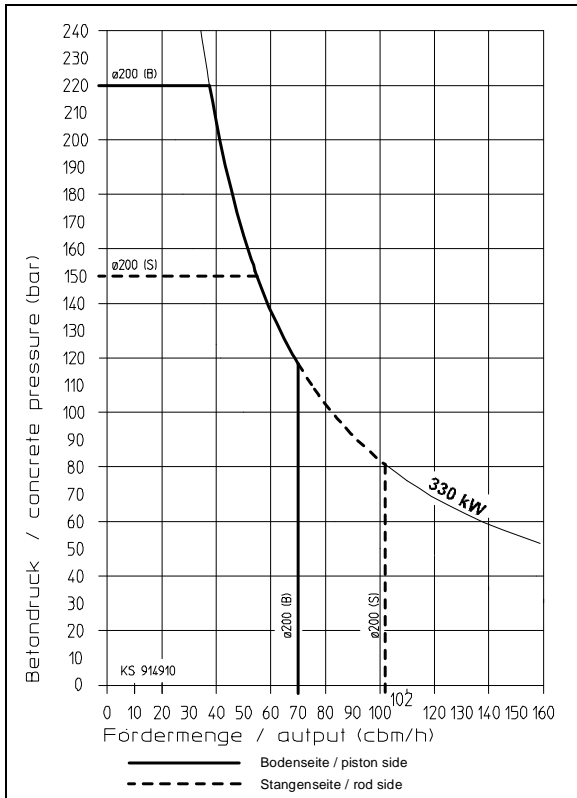
BSA 2110 HP D

BSA 2107 HP E



Note: Standard version BSA 2110 HP -D. Dimensions and weights depend on equipment.

Performance diagram (BSA 2110 HP D)



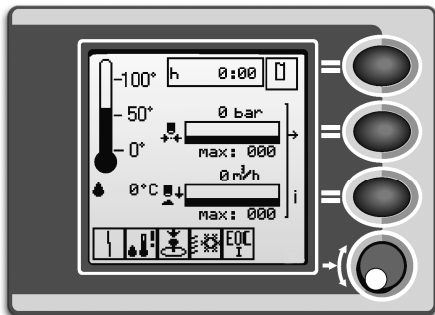
Technical data for concrete pump

Model		BSA 2110 HP D	BSA 2107 HP E
Material number		102177.000	102245.000
Output	m ³ /h	102 / 70 *	71 / 47 *
Delivery pressure	bar	150 / 220 *	
Delivery cylinder	∅ mm	200	
Delivery cyl. stroke	mm	2100	
Strokes / minute		26 / 18 *	18 / 12 *
Engine / motor power	kW	330	200 **
Hopper		RS 905 HF	
Capacity	l	approx. 600	
Filling height	m	approx. 1.3	
Transfer tube		S 1812 D	
line connection		ZX 125	
Pressure connection coupling	"	8	
Control system		EPS FFH-20	
Weight	kg	8600	

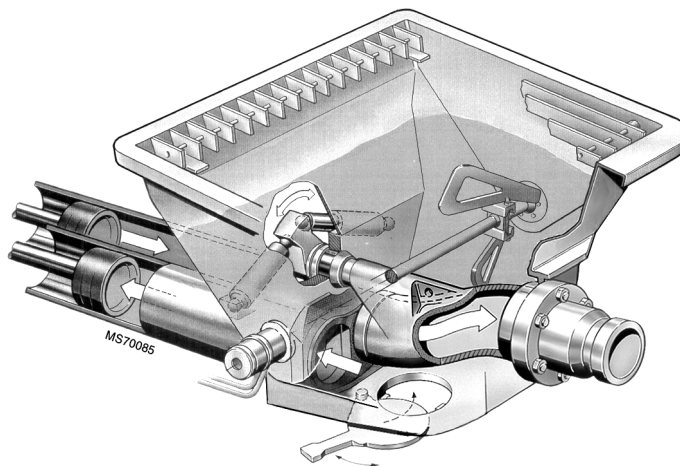
* Values for hydraulic fluid being fed to piston-side.

** Electric motor with 50 Hz
Electric motor with 60 Hz approx 20% more output / stokes

All data maximum theoretical.



EGD - Ergonic Graphic Display



Hopper with transfer tube

Delivery scope

- Drive electric 200 KW
BSA 2107 HP E
- Drive diesel, Deutz 330 KW
BSA 2110 HP D
- Agitator safety switch off
- Cable remote control 10 m
- CE-Version:
- Side flaps
- Cover over switch cylinder
- Central lubrication on the hopper with
hand lever grease gun
- Cleaning accessories
- Concrete hopper with agitator
- Coupling ring (DIN)
- Flushing water pump 160 l/min 25 bar
- Gate valve connection
- Grill 70 mm
- Hard metal wear parts, highly wear resistant
- Operating manuals 2 x cert. and spare part lists
- Set-up spindle, mechanically operated
- Splash guard
- Square outriggers 4x mech. 15°-slanging
- Support wheel on tow bar
- Switching between rod side and piston side feed
- Tool set incl. standard equipment
- Trailer F 8, can be driven on job site
- Coloring:
Cover MB 1227 chrome yellow / black
Pump, frame and trailer RAL 7035 light-grey
Roof and splash guard RAL 7021 black-grey

Ergonic equipment

- Concrete output adjust, electrically (EPS)
- Concrete pressure adjust (EPS)
- Electronic error management
- Operating data for pump and engine shown in
Ergonic Graphic Display (EGD)
- Output delivery meter
- Speed drawdown automatically on pump stop (EPS) (BSA
2110 HP D)

Optional extras

On request

Please see quotation for detailed delivery scope.