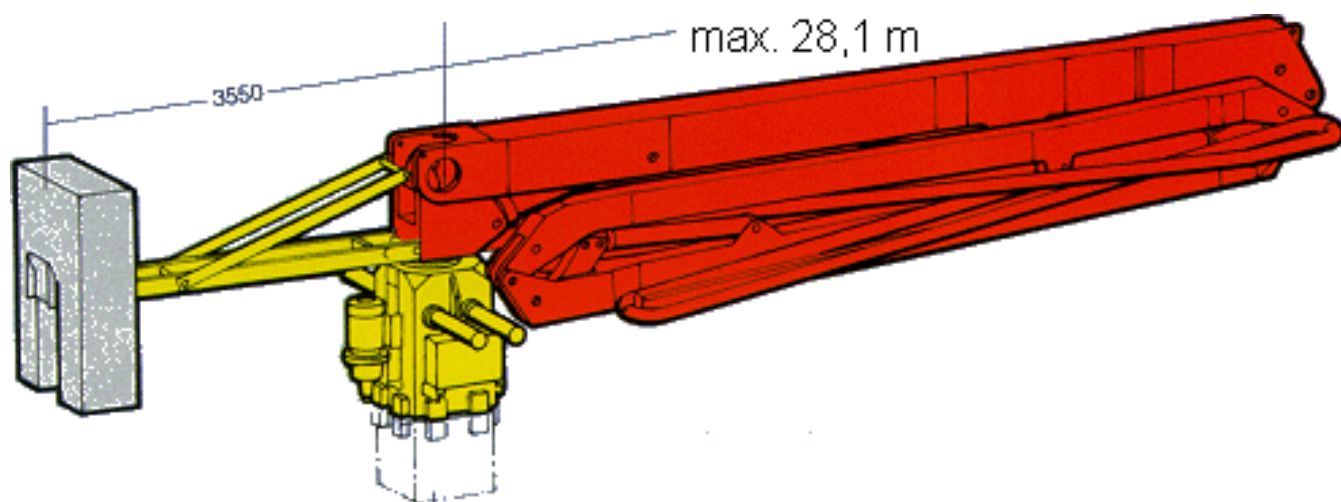


## Wysięgnik stacjonarny MX 28



### Technical data MX 32 -T R

|                              |                            |
|------------------------------|----------------------------|
| Delivery line tube - DN 5,5" | 133 x 4                    |
| Arms                         | 4                          |
| Folding system               | Z                          |
| Vertical reach               | 28,1 m                     |
| Ballast                      | 3x2000 kg                  |
| Substructure                 | Pipe flange column 750 (R) |
| Option                       | Quick seperating boom (T)  |



MX 28 - T

KS 908202

